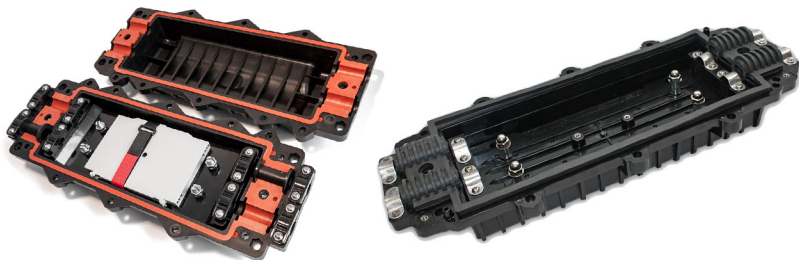


Horizontal Splice Closure 12-96 Fiber (IP68 rating)



DESCRIPTION

Our horizontal splice closure is designed for straight-through line/branching applications, ensuring protection from the environment and is suitable for underground deployment.

Ideal for aerial, underground, wall mounting, duct mounting and manhole mounting.

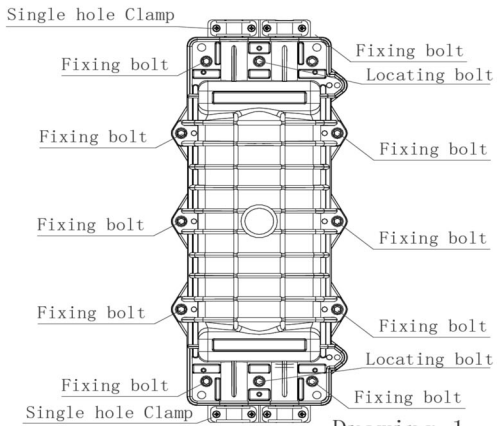
FEATURES

- Material: PP
- 2 inlet, 2 outlet splice closure
- Fire resistant, waterproof, and quake-proof
- Cable entry & exit: 2-entry, 2-exit
- Tested and inspected to the highest standards
- Dimensions inc. lid (LxWxH): 460mm x 190mm x 120mm

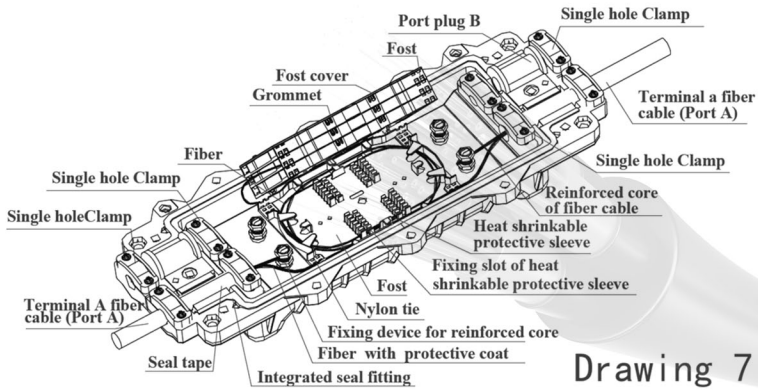


SPECIFICATIONS

Operating Temperature	-40°C to +65°C
Weight per unit	2.95kg
Inlet/outlet ports	4 total (2 per side)
Diameter of fibre cable	Φ5—Φ20 (mm)
Max. Closure Capacity	Bunched: 12—96 (Cores) Ribbon: max.144 (Cores)
Material	PP



Drawing 1



Drawing 7