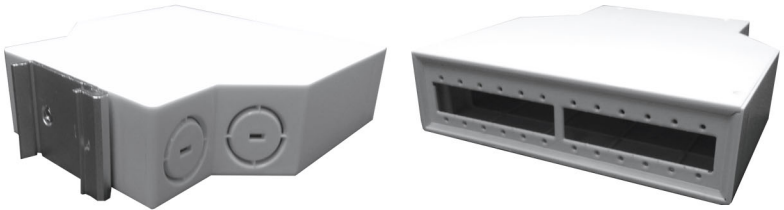


DIN Mountable Breakout Distribution Box

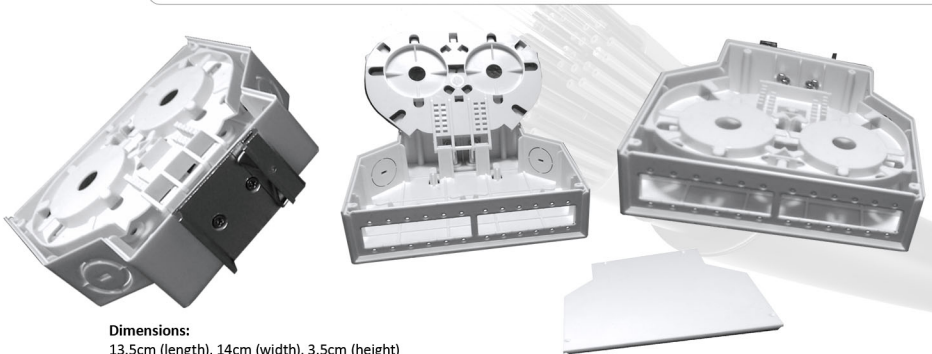


OPTiFab's DIN Mountable Breakout Distribution Box (for 12 x SC Simplex) is made of a strong & lightweight material and can be used for various fibre optic networks within a rack. If space is limited, it can also be wall-mounted using a suitable mounting rail.

It is ideal for terminal connection/patching/distribution for smaller networks and various other applications.

FEATURES

- Suitable for pigtail, ribbon & bulk cable distribution
- Made of a strong and lightweight ABS material
- Rack-mounted
- 4 x cable entry/exit ports and 12 x adapter ports
- Wall-mounted
- Interchangeable 45 degree & 90 degree glands
- Used in FTTH, Telecommunications, CATV, etc.
- 12 fiber internal splice tray



Dimensions:
13.5cm (length), 14cm (width), 3.5cm (height)