

## QSFP MTP/MPO – LC Duplex Breakout Cable

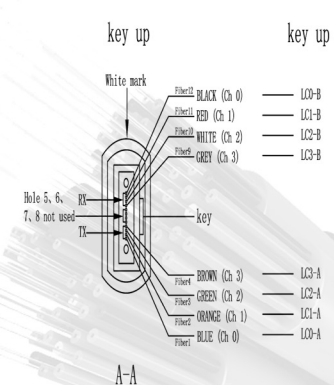
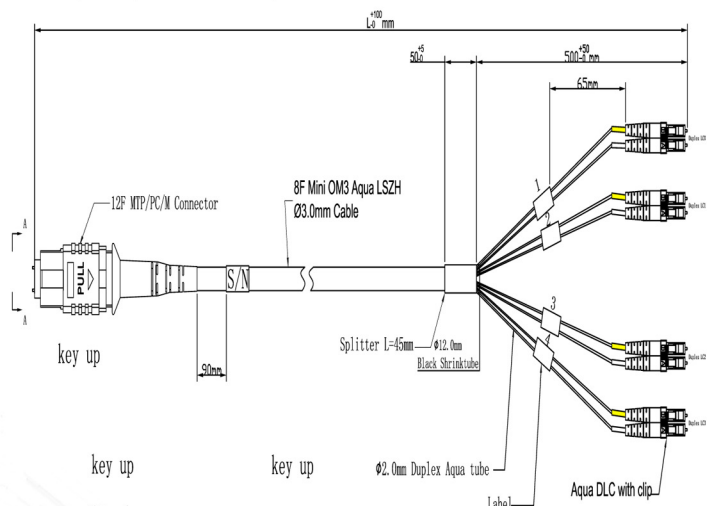


This 40 Gigabit Ethernet QSFP 40GBase-SR4 to MTP(MPO)/LC (4 LC Duplex) varied length breakout cable, OM3, 50/125. The gbit QSFP MTP to LC/UPC breakout cable uses 8 core MMF 50/125um OM3 fibre (centre 4 are unused). It is made to connect to a QSFP module cable for a fanout and offers an aqua/turquoise jacket colour. The fan-out side has 8 LC connectors that are duplexed together and numbered according to the fibre position in the MPO connector.

### FEATURES:

- Connector A) MPO female connector (No guide pins)
- Connector B) LC/UPC
- 40 GB pin-out configuration
- Jacket Type: LSZH Rated (OFNR)
- Jacket Colour: Aqua (blue)
- Fibre Mode: Multi mode 50 Laser Optimised OM3
- Lengths available on request
- Cable type: 3mm round to 2mm on the breakout side
- Fibre Count: 8 fibres

### TECHNICAL DRAWING



Note:

1. MTP/PC Connector: IL ≤ 0.5dB (Against mastercord)
2. LC/UPC Connector: IL ≤ 0.2dB (Against mastercord)